



Item #: \_\_\_\_\_

Models: 36ER36, 36ES36 & 36ET36

Product Name: 36E Series 2 All Purpose Plate  
Top Heavy Duty Range



*Model 36ER36*

**Specifications:**

Heavy-duty electric range with full size oven, Model 36ER36, all purpose plate top. 36" (914mm) wide x 36" (914mm) high x 36" (914mm) deep; 36" (914mm) x 24" (610mm) top consists of two 18" (457mm) x 24" (610mm) plates. Standard oven is controlled by a heavy-duty electromechanical thermostat, top by two thermostatically controlled heat zones. Oven interior is 13.5" (343mm) high x 26.25" (667mm) wide x 29" (533mm) deep with removable four-position chrome plated oven rack guides and one oven rack, front and rear stainless steel grease troughs. Available with convection oven base, 21.75" (552mm) deep. Standard with stainless steel front and black powder coat epoxy sides. All controls are mounted at a convenient level on the switch panel. Electric circuit protection is provided for by circuit breakers or fuses located outside of the heat zone behind the lower kick panel. Ranges are available with casters or for dais mount. Also available with storage base, Model 36ES36, in lieu of oven section or as modular top version, Model 36ET36.

**Standard Features:**

- Stainless steel front with black powder coat epoxy sides
- Stainless steel front rail
- Chrome plated, 4 position removable rack guides w/oven rack
- Electro-mechanical heavy-duty oven thermostat
- 36" (914mm) all purpose plate top controlled by two (2) thermostats, 290°/650°F (143°/343°C)
- 3" (76mm) high stainless steel vent raiser
- Heat resistant, cool to touch oven door handle
- 6" (152mm) adjustable chrome plated legs (NSF)
- One Year limited parts & labor (USA & Canada)

**Optional Features:**

- Stainless steel sides
- Stainless steel main back (R&S models)
- Extra oven rack
- Swivel casters complete with front brakes (4)
- 6" (152mm) adjustable stainless steel legs.
- Convection oven base (add suffix C to model number, e.g. 36ERC36 (not available in 460V)
- High voltage 460V
- Marine equipment - storm rails for pots, hand rails, oven door latch, drip tray stop and deck fasteners

NOTE: Ranges supplied with casters must be installed with an approved restraining device.



GARLAND® ELECTRIC 36E Series Heavy Duty Ranges 36ER36, 36ES36 & 36ET36

**Garland Commercial Industries, Inc.**  
185 East South Street  
Freeland, Pennsylvania 18224  
Phone: (570) 636-1000  
Fax: (570) 636-3903

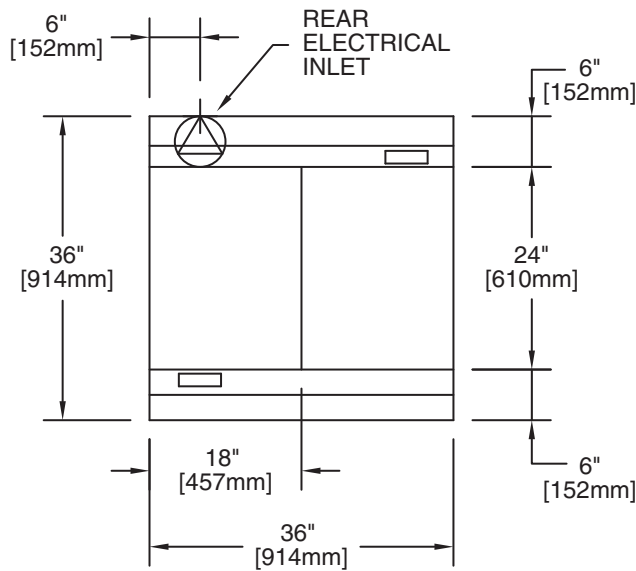
**Garland Commercial Ranges Ltd**  
1177 Kamato Road, Mississauga, Ontario  
L4W 1X4 CANADA  
Phone: 905-624-0260  
Fax: 905-624-5669

**Enodis UK LTD**  
Swallowfield Way, Hayes, Middlesex  
UB3 1DQ ENGLAND  
Telephone: 081-561-0433  
Fax: 081-848-0041



Item #: \_\_\_\_\_  
 Models: 36ER36, 36ES36 & 36ET36  
 Product Name: 36E Series 2 All Purpose Plate  
 Top Heavy Duty Range

MODEL	TOTAL KW	3-PHASE KW PER PHASE ALL VOLTAGES			NOMINAL AMPERES PER LINE											
					SINGLE PHASE			THREE PHASE								
								208V			240V			460V		
X-Y	Y-Z	X-Z	208V	240V	460V	X	Y	Z	X	Y	Z	X	Y	Z		
36ER36	18.5	6.5	6	6	89	78	40	53	53	51	46	46	44	24	24	23
36ES/ET36	12	0	6	6	58	51	26	29	29	51	25	25	44	13	13	23
36ERC36	17.4	5.4	6	6	83.6	72.5	NA	48	48	50	42	42	44	NA	NA	NA



CLEARANCES			
ENTRY		TO COMBUSTIBLE WALL	
CRATED	UNCRATED	SIDES	REAR
41-1/4" (1048mm)	36-1/4" (921mm)	3" (76mm)	1-1/2" (38mm)

**NOTE:** For ranges with convection oven(s), (models with suffix 'RC'), air circulation is required for proper operation of fan motors. These models must not be daisy mounted or installed with out legs.  
 Garland products are not approved or authorized for home or residential use, but are intended for commercial applications only. Garland will not provide service, warranty, maintenance or support of any kind other than in commercial applications.

