

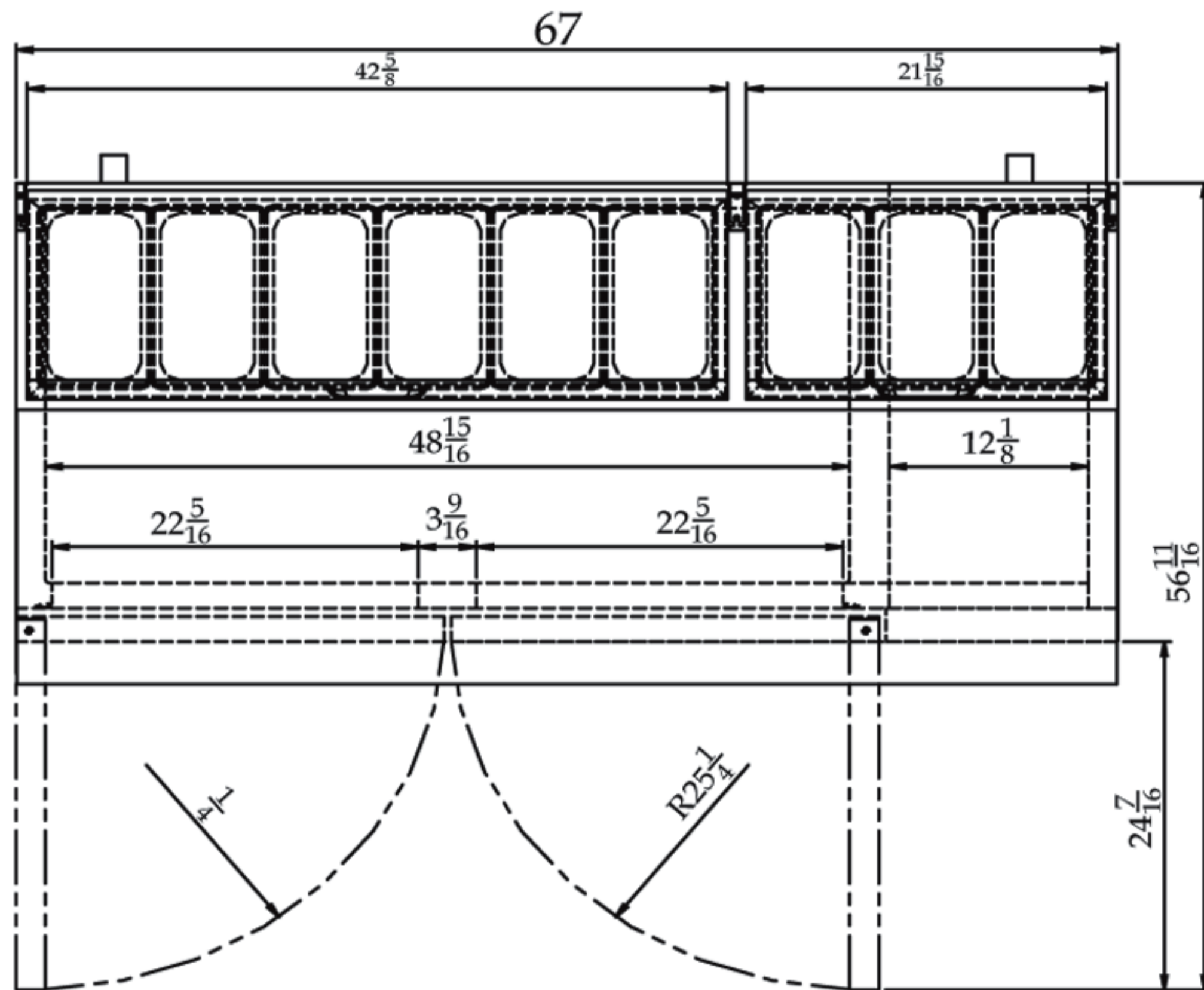
CABINET INTERIOR/EXTERIOR SPECIFICATIONS

MODEL	TPR-67SD
Exterior Dimensions(LxDxH)	67"x32.3"x41.7"
Cubic Feet	20
Comp.	1/2HP
Shelves	4 ea
Weight	395lbs
Power	115V / 60Hz
Amp	10.4 A
Cord Length	10 Feet
Plug-In	NEMA 5-15P

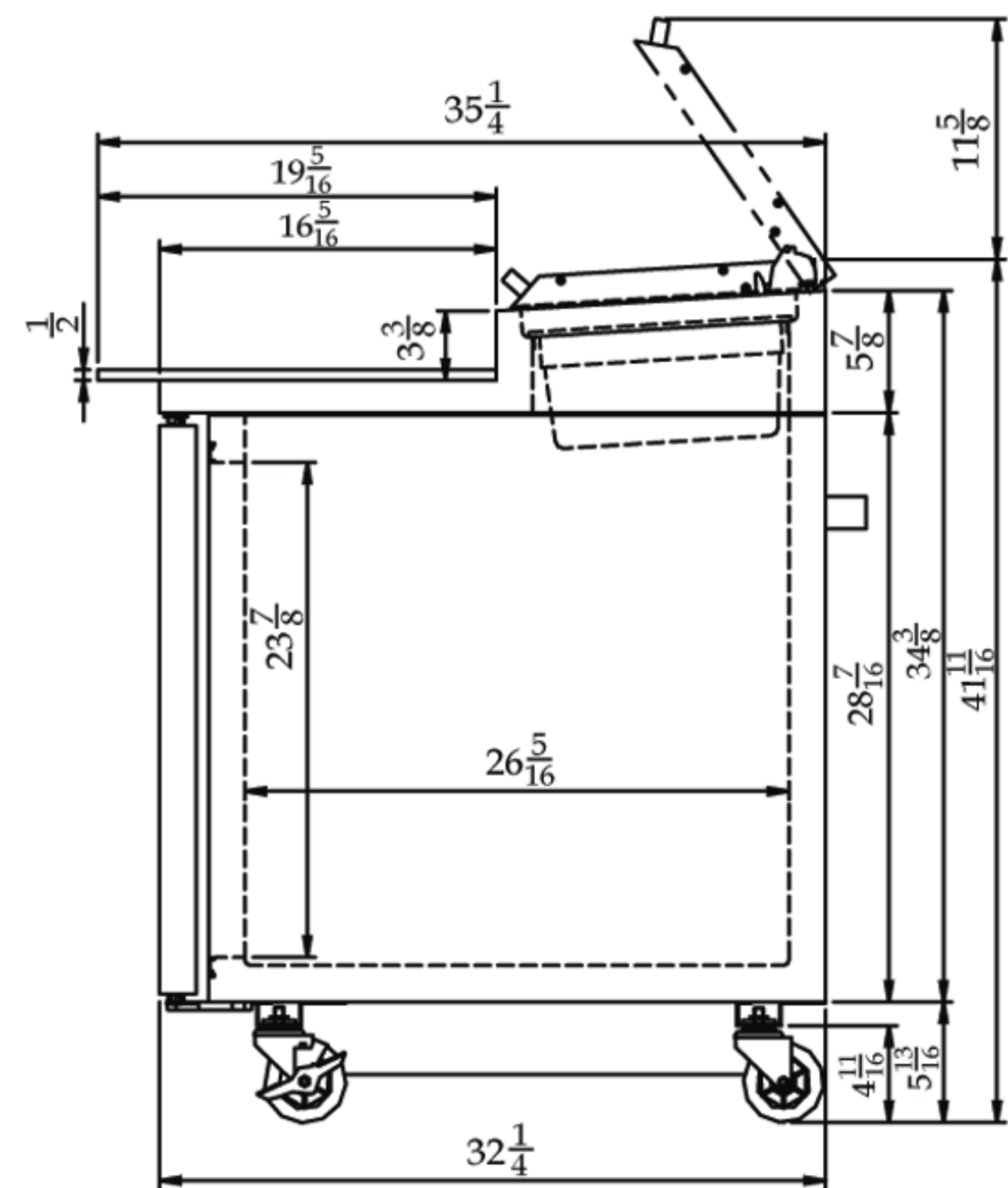
- * Extra-deep 19 1/2" Full Length Removable Cutting Board Included
- * Foamed With Polyurethane, High-Density Cell Insulation (CFC free)
- * Holds 33°F~41°F
- * **18 Month Labor and Parts Warranty for Super Deluxe Series**

*Design and specifications can be changed without prior notice for product improvement.

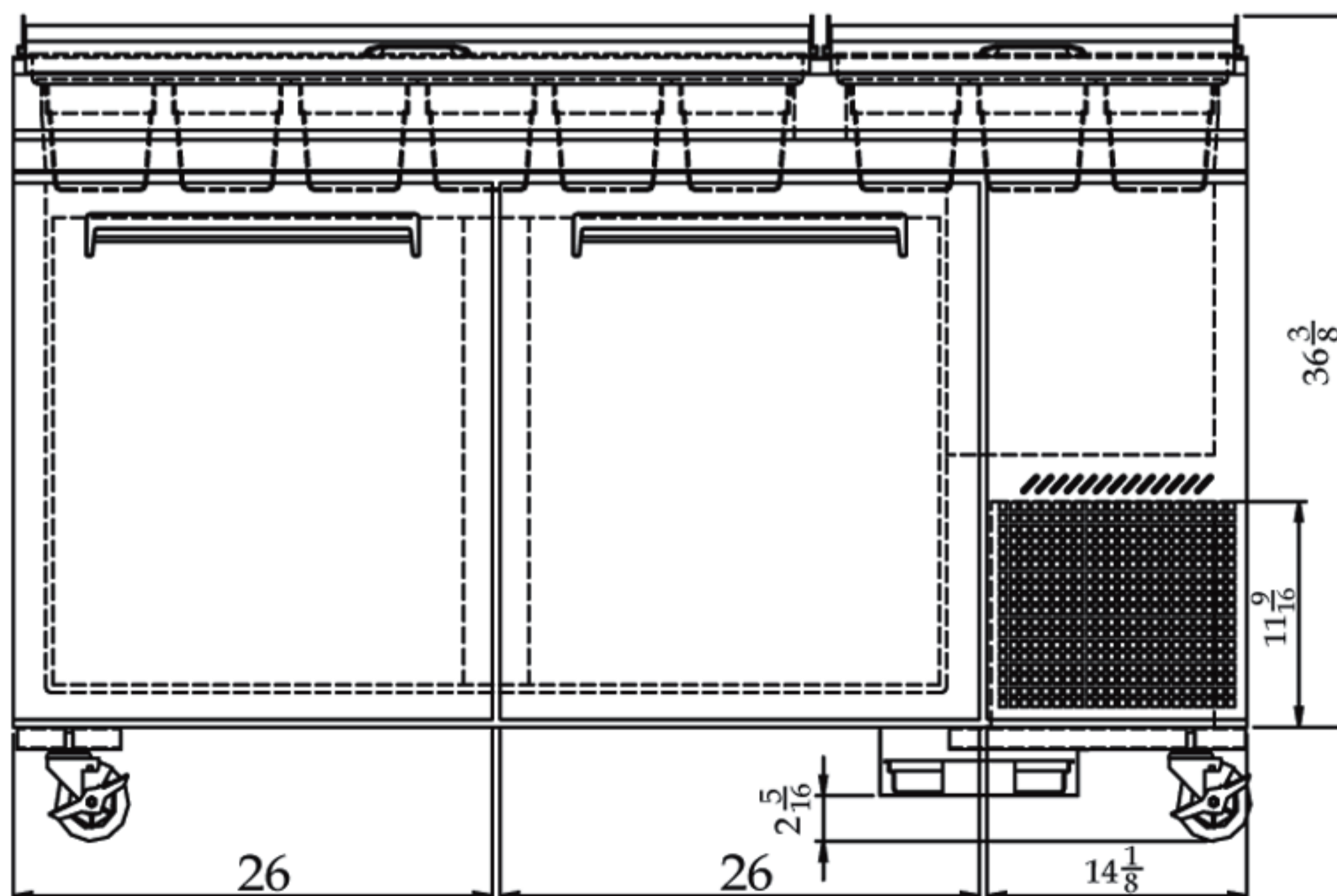
(unit : inch)



PLAN VIEW



SIDE VIEW



FRONT VIEW